

# FRIENDSHIP 2003

LUXURY MOTORHOMES



DIESEL MODELS  
FLOORPLANS & SPECIFICATIONS

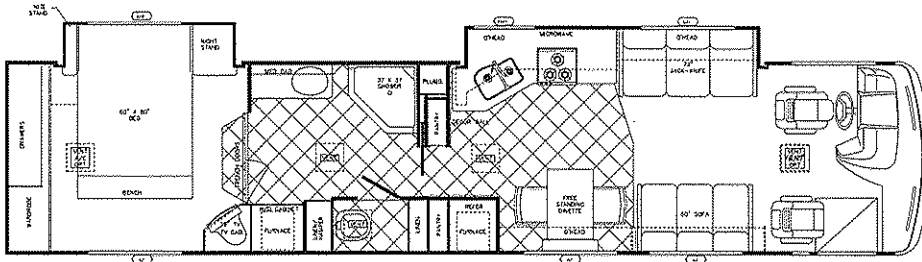


*Friendship*

# FRIENDSHIP

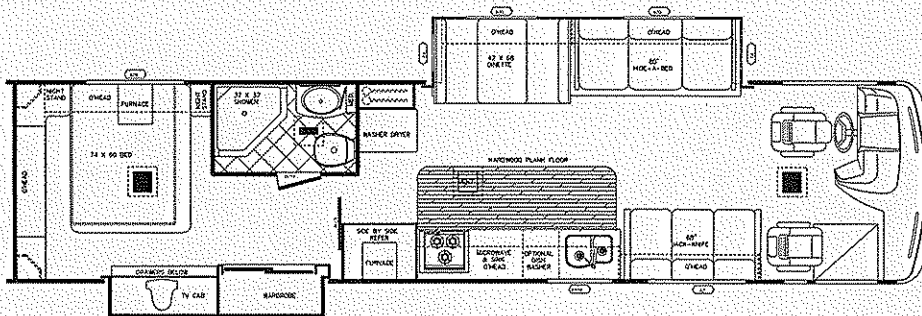


## MODEL 8404 FS



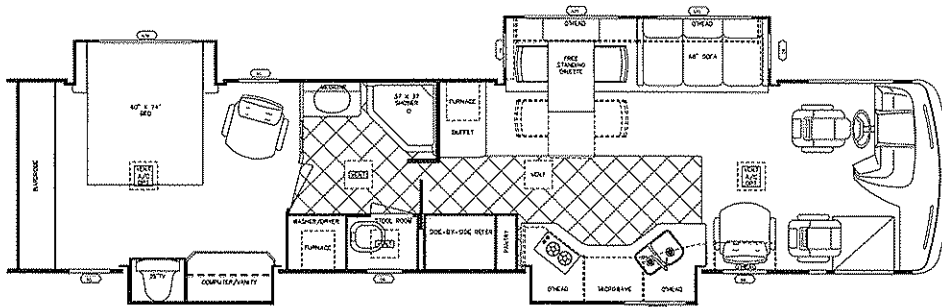
Engine	330 CAT/400
GVWR	31,000
Wheelbase	276"
Ext. Length	40'-9"
Ext. Height w/AC	12'-2"
Ext. Width	101"
Int. Height	80"
Int. Width	97"
Fresh	75 gal.
Grey	40 gal.
Black	40 gal.
Water Heater w/DSI	10 gal.
LP Gas Tanks	150 lbs.
Fuel Tank (Gal.)	150
Furnace (BTU's)	25,000/40,000

## MODEL 8407 FS



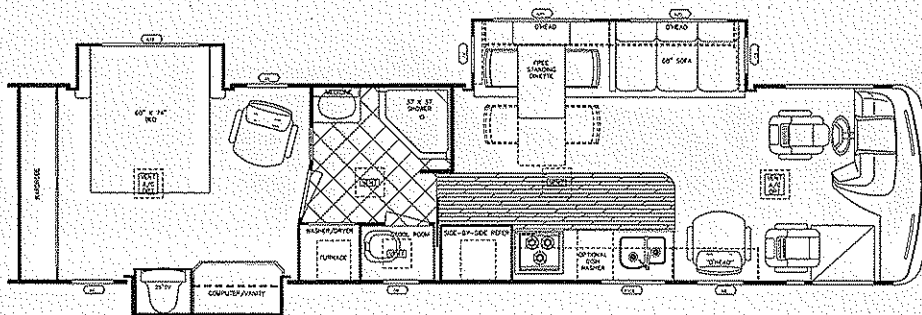
Engine	330 CAT/400
GVWR	27,910/31,000
Wheelbase	252"
Ext. Length	38'-8"
Ext. Height w/AC	12'-2"
Ext. Width	101"
Int. Height	80"
Int. Width	97"
Fresh	100 gal.
Grey	75 gal.
Black	75 gal.
Water Heater w/DSI	10 gal.
LP Gas Tanks	150 lbs.
Fuel Tank (Gal.)	100/150
Furnace (BTU's)	25,000/40,000

## MODEL 8408 FS



Engine	330 CAT/400
GVWR	31,000
Wheelbase	276"
Ext. Length	40'-9"
Ext. Height w/AC	12'-2"
Ext. Width	101"
Int. Height	80"
Int. Width	97"
Fresh	100 gal.
Grey	75 gal.
Black	75 gal.
Water Heater w/DSI	10 gal.
LP Gas Tanks	150 lbs.
Fuel Tank (Gal.)	150
Furnace (BTU's)	25,000/40,000

## MODEL 8409 FS



Engine	330 CAT/400
GVWR	27,910/31,000
Wheelbase	252"
Ext. Length	38'-8"
Ext. Height w/AC	12'-2"
Ext. Width	101"
Int. Height	80"
Int. Width	97"
Fresh	100 gal.
Grey	75 gal.
Black	75 gal.
Water Heater w/DSI	10 gal.
LP Gas Tanks	150 lbs.
Fuel Tank (Gal.)	100/150
Furnace (BTU's)	25,000/40,000

# FRIENDSHIP



## LUXURY DIESEL MODEL FEATURES, STANDARDS & OPTIONS

### Interior & Decor

- High Gloss Walnut Hardwood Interior
- Fabric-Covered Shelving in Cabinets
- Deep Overhead Cabinets in Slide-Outs
- Deluxe Corian® Countertops Throughout
- Deluxe Flexsteel Furniture
- Flexsteel Pilot & Co-Pilot Seats 6-Way Power Pedestals (Opt.)
- Deluxe Stain-Resistant Carpet w/Pad
- Hand Laid Ceramic Tile Floor Bath
- Wood Plank Floor in Kitchen
- Day/Night Shades Throughout
- Deluxe Privacy Drapes for Cockpit
- Coordinated Bedspreads & Shams
- Expandable Dinette w/Solid Surface Top and (2) Fabric Chairs
- Color Coordinated Deluxe Window Boxes
- Queen Size Bed w/Deluxe Innerspring Mattress

### Appliances

- 3-Burner High-Output Recessed Range w/Covers
- 2-Door, 2-Way Refrigerator
- Microwave/Convection Oven w/Recirculation Kit
- Lighted Power Range Hood
- 25" Color TV In Overhead Flat Screens
- 15" Color TV in Bedroom Flat Screens
- VCR in Front Overhead (Opt.)
- TV Antenna w/Amp, Boost and 2 Jacks
- LP Gas Leak Detector
- Carbon Monoxide Detector

### Bath & Water

- Super-Flow Manifold Water Distribution System
- Deep Solid Surface Kitchen Sink w/Flexible Sprayer
- Gold Neo-Angle Shower Surround
- Sky Dome in Shower Area
- Mirrored Medicine Cabinet
- Storage Cabinet in Commode Area
- Porcelain Commode w/Spray Nozzle
- Washer/Dryer Prep
- Corian® Sink Covers in Kitchen
- Water Purification System
- Holding Tank Power Flush System

### Exterior & Construction

- Large One-Piece Panoramic Windshield
- Radiused Fiberglass Roof
- Back-Up Camera w/Weatherproof Cover
- Deluxe Front Door w/Screen & Kick plate
- Trailer Hitch
- **Chrome Package:**
  - Chrome Front Spotlight w/Power Controls
  - Chrome Front Air Horns
  - Chrome-Like Kick plate at Front Entry Door
  - Chrome Exhaust Tips
  - Chrome Exterior Vents for Radiator & Engine Compartment Doors
- Strong 1-1/2" x 1-1/2" Tubular Metal Const.
- Laminated Tubular Steel Floor w/Metal Underbelly and Weyerhaeuser Decking
- Super-Structure Steel Sub-Floor Sys. (3"x1-1/2")
- Laminated 2" Thick Floor & Wall Construction
- 1-1/2" Block Foam Insulation in Floor & Walls
- Steel Sidewall-to-Roof Transition Member
- Hinged & Insulated Ext. Storage Doors
- High-Density Block Foam Insulation Throughout
- Thick 4-1/2" Block Foam Roof Insulation
- Side-to-Side, Carpeted and Lighted Exterior Pass-Through Storage
- Full Fiberglass Front and Rear Caps
- Fiberglass Integrated Bumpers
- Full Body Undercoating
- Super-Slick Gel-Coat Fiberglass Exterior
- Hydraulic Slide Power Unit w/Manual Override

### Heating, Ventilation & A/C

- Thermopane Windows Throughout
- Dual 13,500 BTU Ceiling Ducted A/C
- Overhead Defrost Fans
- In-Dash A/C and Heater w/Electronic Driver and Passenger Controls
- Heated & Insulated Basement with Enclosed Holding Tanks
- Insulated Ducted Furnace w/Electronic Ignition

### Chassis

- Freightliner Custom Chassis with 330 HP CAT @2200 RPM @ 860 ftlb. torque w/Allison 6 Speed Electronically Shifted Automatic Transmission
- IFS Not Available (8404, 8408, 8409)
- C-Channel Type, Raised-Rail Steel Chassis Frame
- Anti-Lock Brake System
- Air Brakes w/Pure Air Plus Heated Air Dryer
- Full Air-Ride Suspension w/Auto Leveling System

### Deluxe Standard Features

- Auto Dash Air Conditioner
- Auto Cruise Control
- Electric Step Cover
- 150 lb. LP Tank
- Tinted Windshield & Windows

### Popular Options

- Deluxe Exterior Paint Upgrade
- 4-Door Flush-Mount Refrigerator
- Satellite Dish System
- Satellite in Motion System
- Fully Automatic Hydraulic Coach Levelers
- Storage Compartment Slide Trays
- Exterior Entertainment Center
- Combo Vented Washer/Dryer
- Icemaker in Kitchen Cabinet
- Icemaker in 4-Door Refrigerator
- 50 lb. Freezer on Slide Tray in Basement
- 7.5 Onan Quiet Diesel Generator / or 7.5 Generac
- Sony Surround Sound w/DVD Player



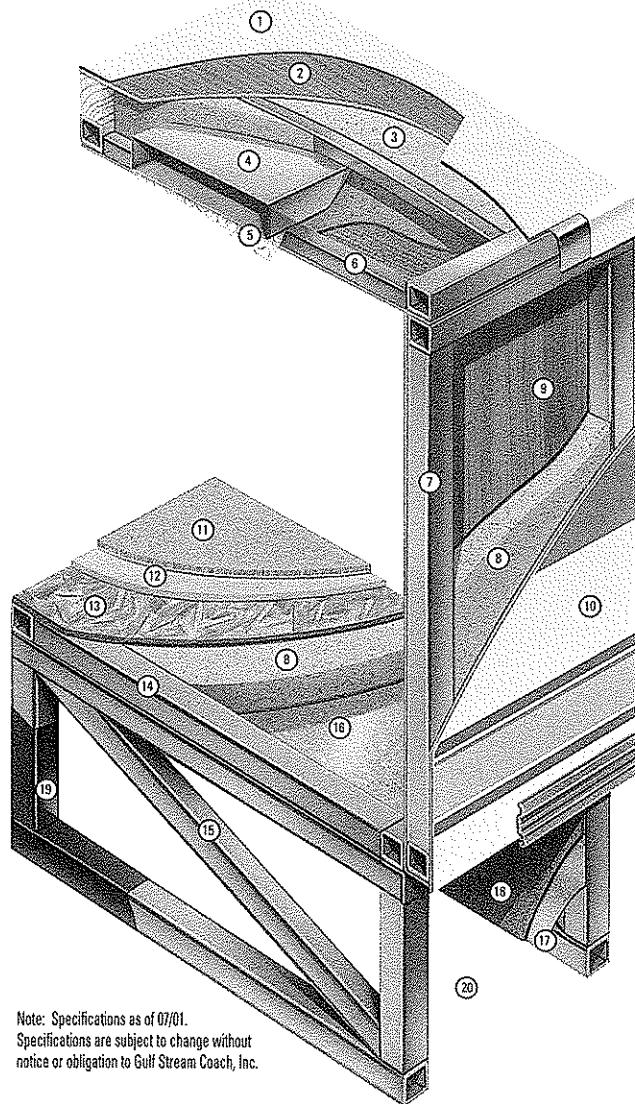
# CRADLE OF STRENGTH

Take the Time to Compare



## MOTORHOMES BUILT TO LAST

1. Seamless Rubber Roof For Greater Energy Efficiency and Dependability.
2. Luan Decking for Additional Strength.
3. Molded, High Density EPS (Expanded PolyStyrene) Roof Brick Insulation - Provides Consistent Insulative Value As Well As Superior Dimensional Rigidity.
4. One-Piece Formed Aluminum Air Conditioning Duct, Completely Surrounded By EPS Insulation.
5. Bubble-Wrapped Foil Insulation Provides Superior Insulation and Helps Prevent Condensation.
6. Rugged Welded Tubular Aluminum Roof Framing.
7. Rugged Heavy-Gauge Tubular Aluminum, Fixture Welded to Form the Sidewall Framing.
8. High-Density EPS Insulation Provides Superior Laminating and Bonding Characteristics and Insures Greater Energy Efficiency.
9. Interior Wall Panels Securely Laminated to Sidewall Framing.
10. "Mende" Fiberglass Exterior Vacuum-bond Laminated to Sidewall Framing for Lasting Beauty and Durability. (Super Slick - Classic)
11. High-Quality Stain-Resistant Carpeting Available in Designer Coordinated Colors.



Note: Specifications as of 07/01.  
Specifications are subject to change without notice or obligation to Gulf Stream Coach, Inc.

12. Extra-Thick Padding Under Carpet Provides Extra Comfort and Increases Carpet Durability.
13. Seamless Structurewood Floor Decking Laminated to Steel Floor Structure Assures a Quiet, Long-Lasting, Rigid Floor and comes with a 10-Year Warranty.
14. Heavy-Gauge Tubular Steel Framing, Fixture Welded for Extra Strength and Stability.
15. Heavy-Gauge Tubular Steel Framed, Fixture Welded Floor Truss System Provides the Strongest Class C Foundation in the Industry.
16. Seamless Layer of Galvanized Steel Securely Laminated to the Steel Floor Framing.
17. Galvanized Steel Used to Form Each Storage & Holding Compartment.
18. Durable All-Weather Carpeting Completes Each Accessible Storage Compartment, Providing Extra Protection for Luggage and Valuables.
19. Rust-Prohibitive Paint Coating Applied to All Steel Framing Assures Corrosion and Rust Protection.
20. The Industry's Strongest, Most Spacious Exterior Storage Compartments.



POST OFFICE BOX 1005 NAPPANEE, IN 46550  
YOUR DEALER



VISIT  
[www.gulfstreamrv.com](http://www.gulfstreamrv.com)

FOR MORE DETAILED INFORMATION...  
OR CALL 1-800-765-8787 EXT. 3288

\* All weights and measures are approximate and subject to change without notice. For more information, contact your local dealer, [www.gulfstreamrv.com](http://www.gulfstreamrv.com) or Gulf Stream Coach, Inc. Gulf Stream Coach, Inc. reserves the right to make changes in prices, colors, materials, components and specifications and to discontinue models at any time without notice or obligation. Gulf Stream Coach, Inc. assumes no responsibility for any error in type or print reproduction of specifications or floorplans in this brochure. Photographs may show equipment or items that are optional and are not included in the purchase price of each coach, fifth wheel or trailer. © Copyright 2002 Gulf Stream Coach, Inc. Nappanee, Indiana USA